

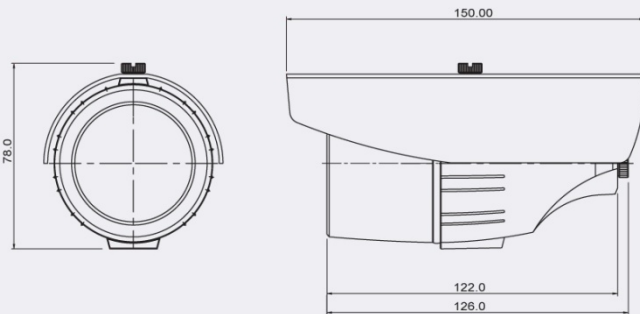


Features

- 1/3 inch Sony Super HAD CCD
- **High Resolution : 530 TV Lines**
- Built-in DC Iris Vari-focal Lens (f=3.8~9.5mm)
- **True Day&Night (ICR2)**
- Auto White Balance
- AGC, BLC, Flickerless (On/Off)
- **Built-in IR LED(18EA) and Sensor(1EA)**
- Min Illumination : Night(0.00Lux, IR LED On)
- Weather Proof Housing
- 65mm in Diameter



DIMENSIONS



SPECIFICATIONS

Model	B2760NVF
Signal System	NTSC
Scanning System	2:1 Interlace
Scanning Frequency (H)	15.734 KHz
Scanning Frequency (V)	59.94 Hz
Image Sensor	1/3 Inch SONY Super HAD CCD
Total Pixels	811(H) x 508(V) 410K
Effective Pixels	768(H) x 494(V) 380K
Horizontal Resolution	530 TV Lines
Video Output	Composite: 1.0V p-p (75Ω, Composite)
S/N Ratio	More than 48dB(AGC Off)
Lens	DC Iris Vari-focal Lens (f=3.8~9.5mm)
Min.Illumination	Day (0.3Lux), Night(0.00Lux, IR LED On)
IR LED and Sensor	IR LED 18EA (850nm, 15 °, 30'), Sensor 1EA
IR LED Visible Range	Max. 20m
Day&Night (ICR2)	Auto
White Balance	Auto
AGC,BLC,Flickerless	On/Off (Dip Switch)
Shutter Speed	1/60~1/100,000 Sec.
Supplied Voltage	12VDC
Power Consumption	Max. 6W/0.5A
Dimensions(ØxH)	78.0 x 150.0mm
Weight	Approx. 800g